

# FH2-HY04

## H<sub>2</sub> DETECTOR

### FH2-HY04

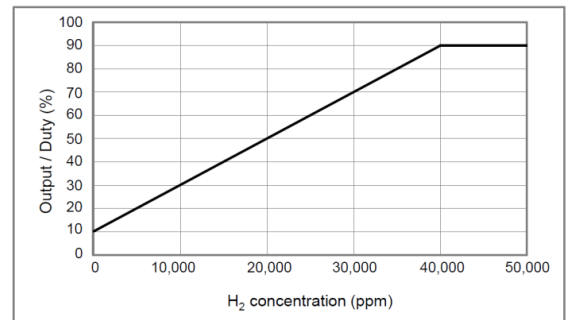
#### for HYDROGEN LEAK DETECTION

The FH2-HY04 is a newly developed hydrogen detector, specifically designed for preventing hydrogen leaks in fuel-cell vehicles (FCV). For this application, a reliable hydrogen sensor is required and we have developed a new catalytic combustion type hydrogen sensor with a minimum mass and wide surface area using a unique technology.

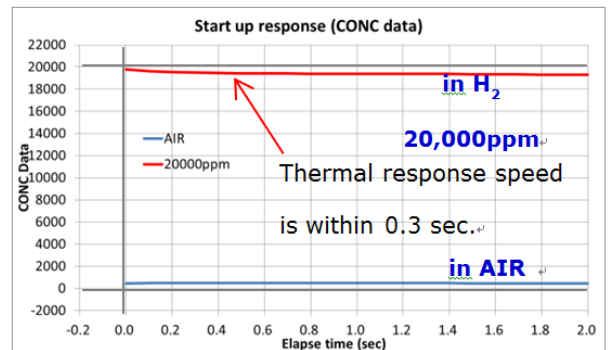
The development of this sensor realizes a rapid response speed and strong poisoning resistance against silicone compounds. These features achieve the expected demands for long life in actual applications in automobiles, without any need for replacing detectors over a long period. In combination with sophisticated electronics and software design, we offer the following features in hydrogen leak detection.

#### Features

- Quick start-up time
- Rapid response speed
- Long life
- High Selectivity



H<sub>2</sub> concentration (ppm) = 500 x (Duty% - 10)

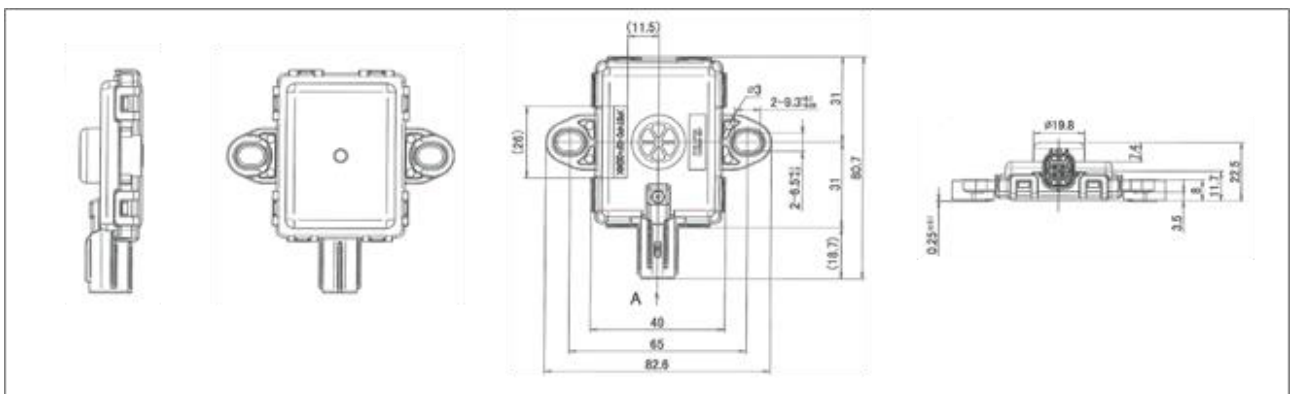


**SPECIFICATIONS**

**Specifications: FH2-HY04**

Item	Contents
Detection gas	Hydrogen
Concentration range	0 to 4 vol.% in air
Initial accuracy	± 10%
Speed of response (T80)	< 2 seconds
Start-up time	< 1 second
Supply voltage	12V (9 to 16 V) DC
Power consumption	About 1.0W
Output signal	PWM (10 to 90% duty); negative logic
Operating temperature range	-35°C to 85°C
Storage temperature range	-40°C to 105°C
Humidity	< 95%RH (no condensation)
Dimensions (without the attaching part)	62 (W) × 49 (D) × 22.5 (H) mm
Weight	Approx. 58g

**DEMENSIONS / CONFIGURATIONS**



**Please contact**

**OCTOBER, 2018**

Nissha FIS, Inc.  
2-4-28, Tagawa  
Yodogawa, Osaka  
532-0027 Japan

Tel: +81 6-7176-3911  
Fax: +81 6-7176-3912  
<http://www.fisinc.co.jp>

In the interest of continued product improvement, we reserve the right to change design features without prior notice.